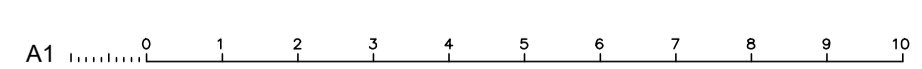


PathName: CV-82-A-004.dwg - User: jerry - Plot File Created: Mar 12, 2021 - 2:07pm



Rev	Description	Eng	Draft	Date	Rev	Description	Eng	Draft	Date	Rev	Description	Eng	Draft	Date
P4	ISSUE FOR APPROVAL	AH	JW	12.03.21										
P3	ISSUE FOR APPROVAL	AH	SH	25.02.21										
P2	ISSUE FOR APPROVAL	AH	JW	16.02.21										
P1	PRELIMINARY	AA	JW	09.02.21										

Architect
 WOODS BAGOT
 2/60 CARRINGTON STREET, NSW 200
Client
 MULTIPLEX AUSTRALASIA
 22/135 KINGS STREET, NSW 200

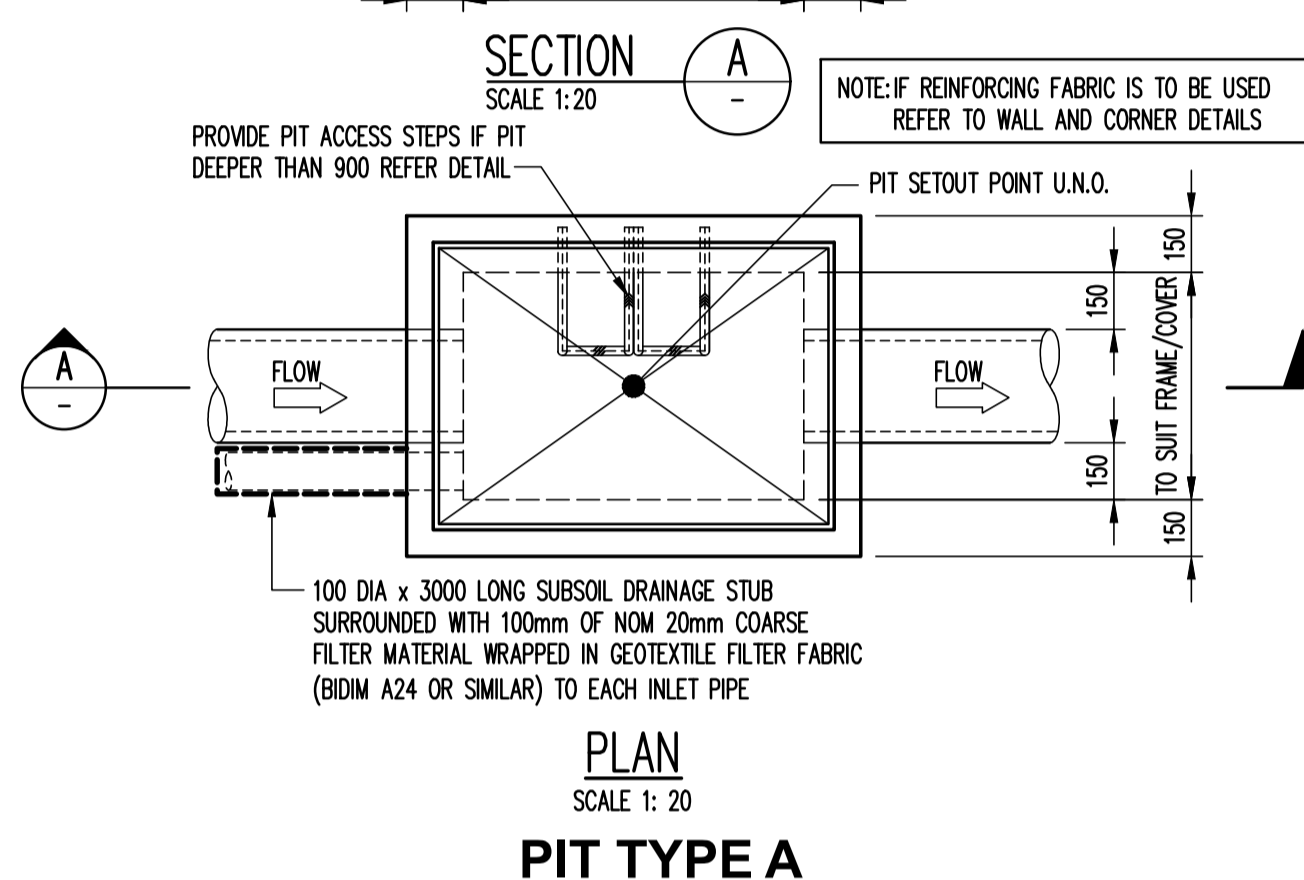
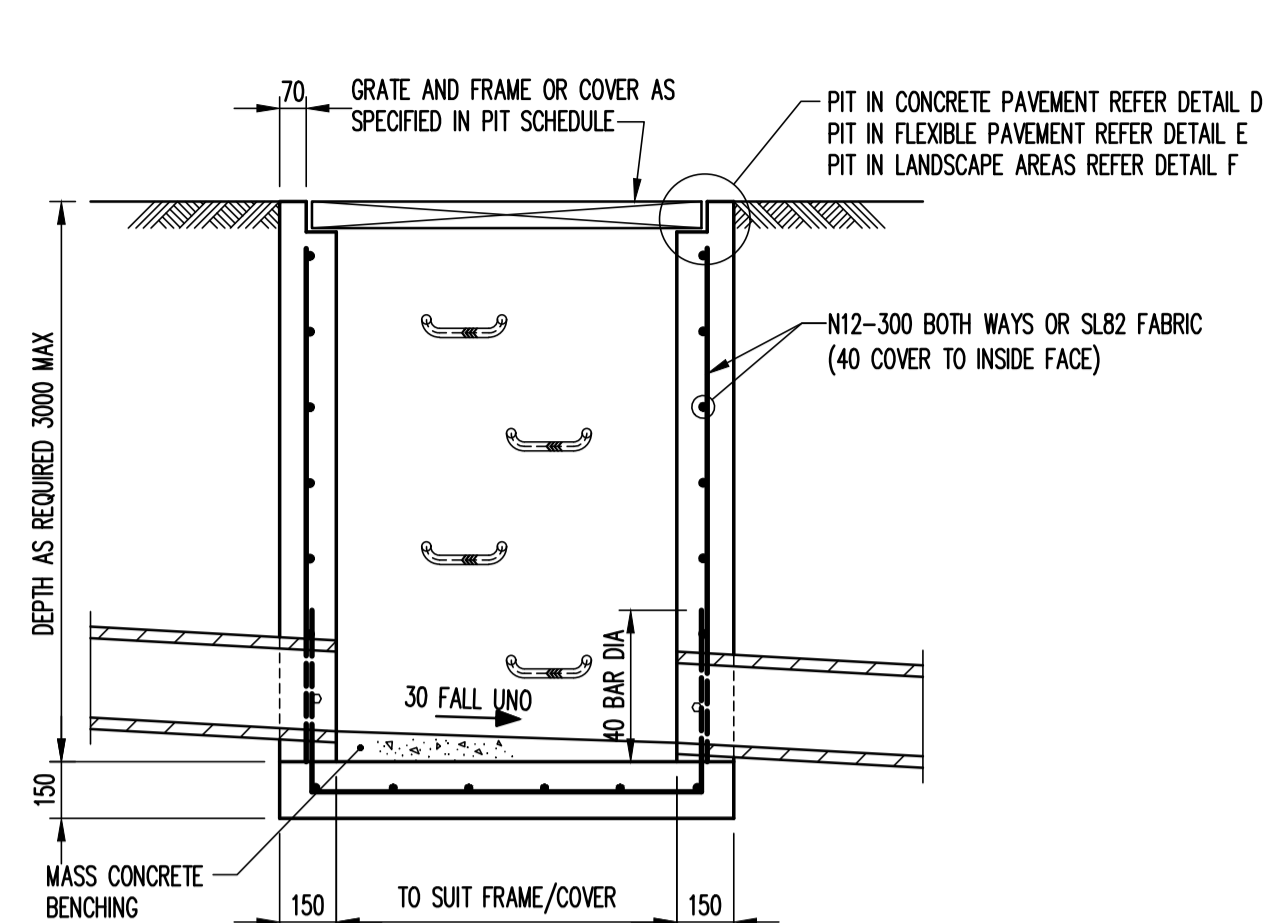
Engineer

 612 9439 7288 | 48 Chandos Street St Leonards NSW 2065

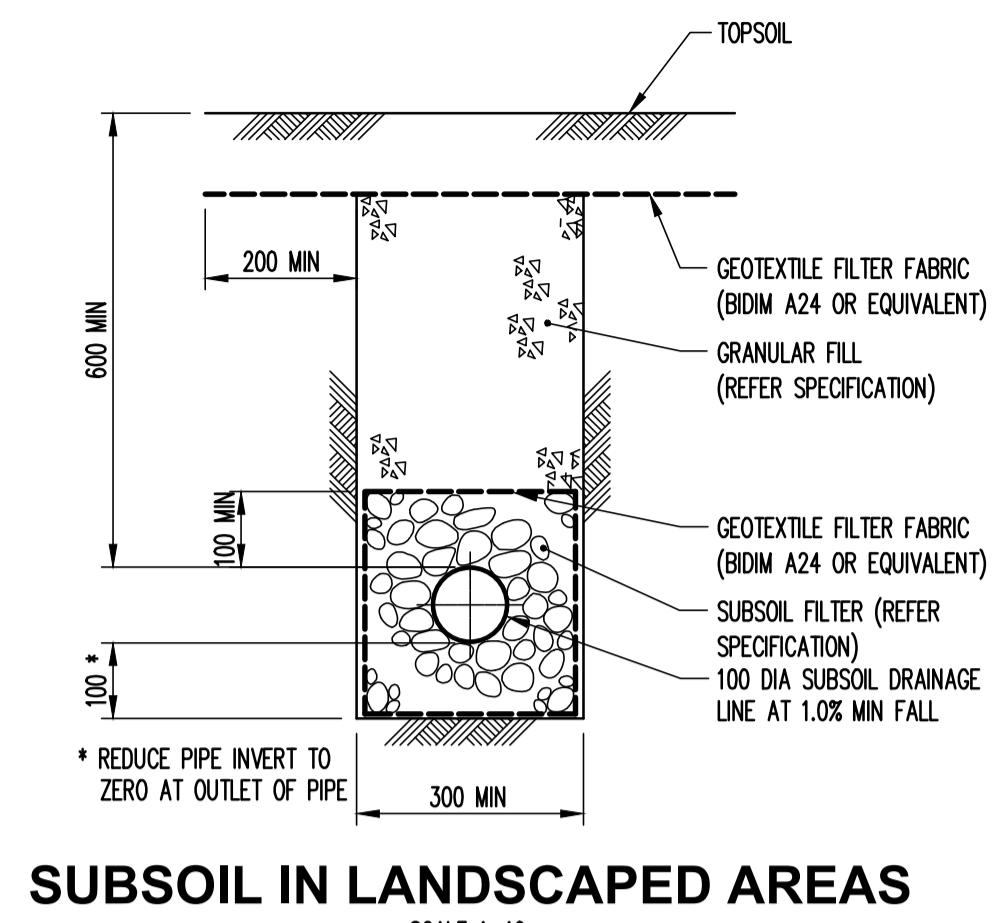
Project
 MOSMAN HIGH SCHOOL
 UPGRADE
 745 MILITARY ROAD,
 MOSMAN, NSW 2088

Sheet Subject
 SITEMWORKS PLAN
 Scale: A1 1:250
 Drawn: JW
 Authorised: SB
 Job No: 201635
 Drawing No: CV-82-A-004
 Revision: P4
 Plot File Created: Mar 12, 2021 - 2:07pm

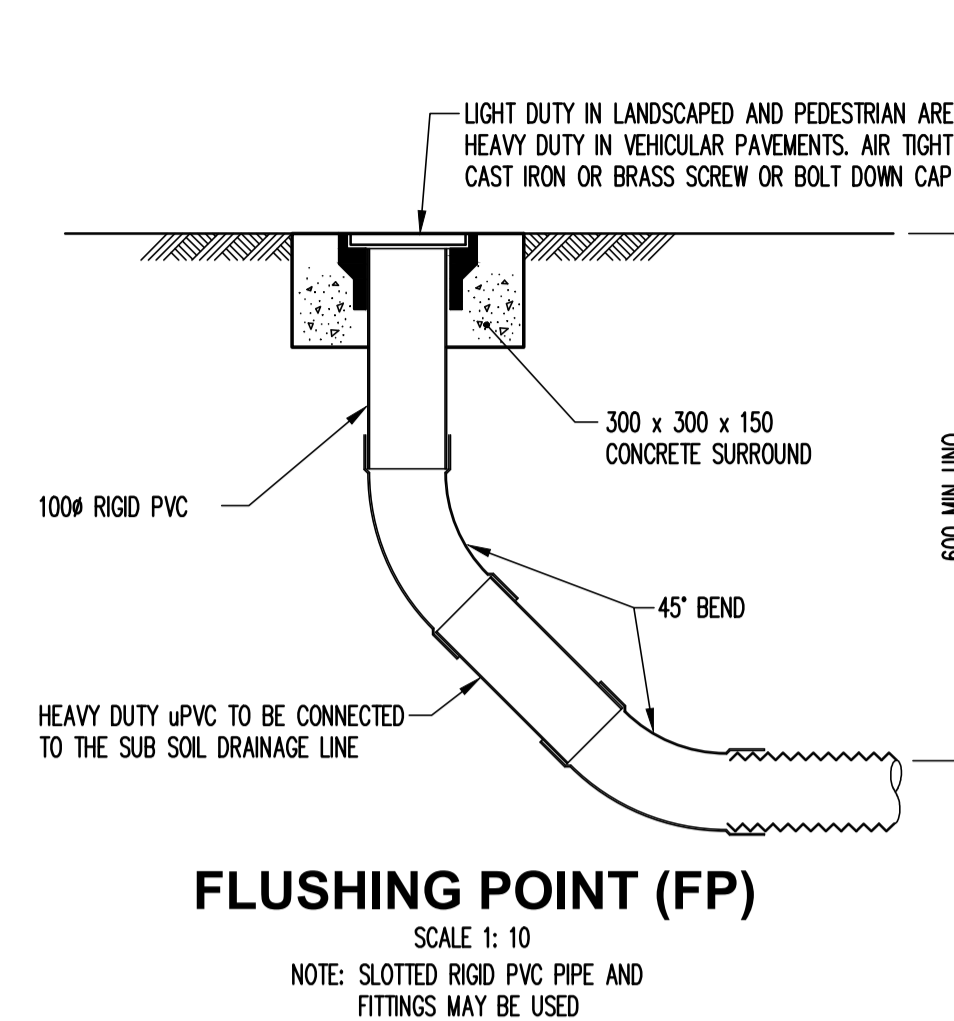
PRELIMINARY
 NOT TO BE USED
 FOR CONSTRUCTION



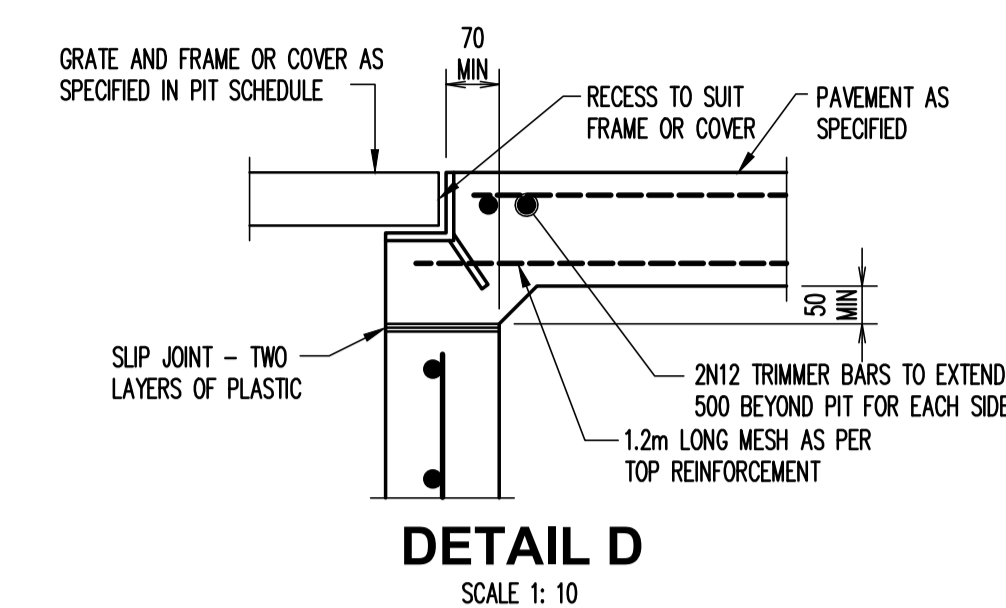
PIT TYPE A



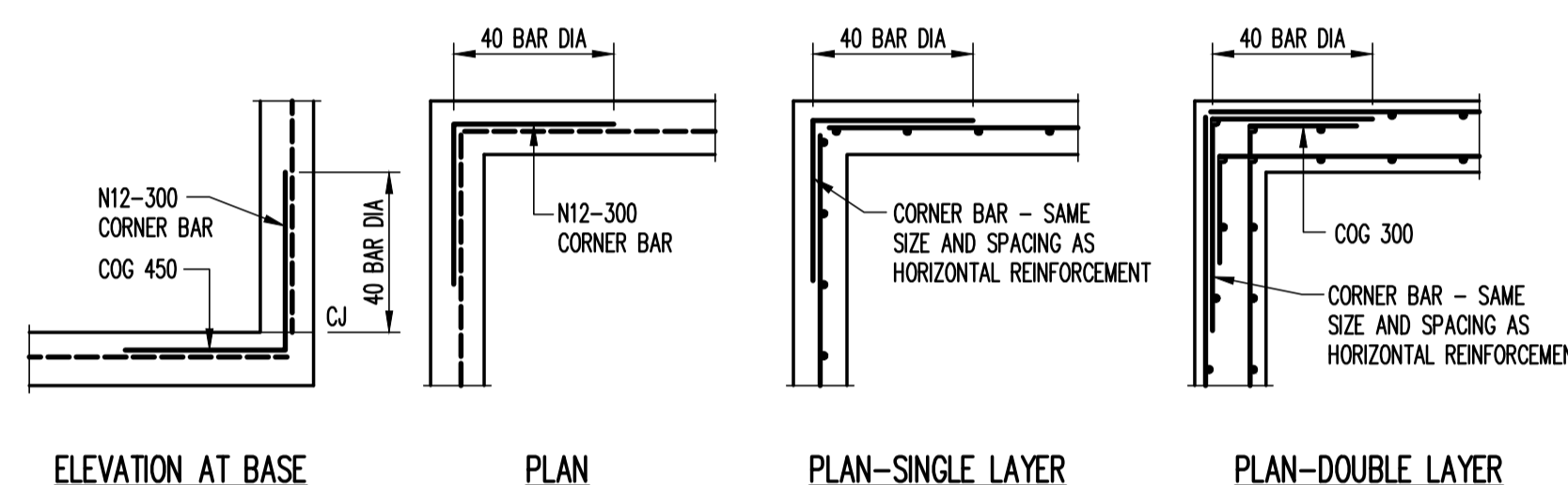
SUBSOIL IN LANDSCAPED AREAS



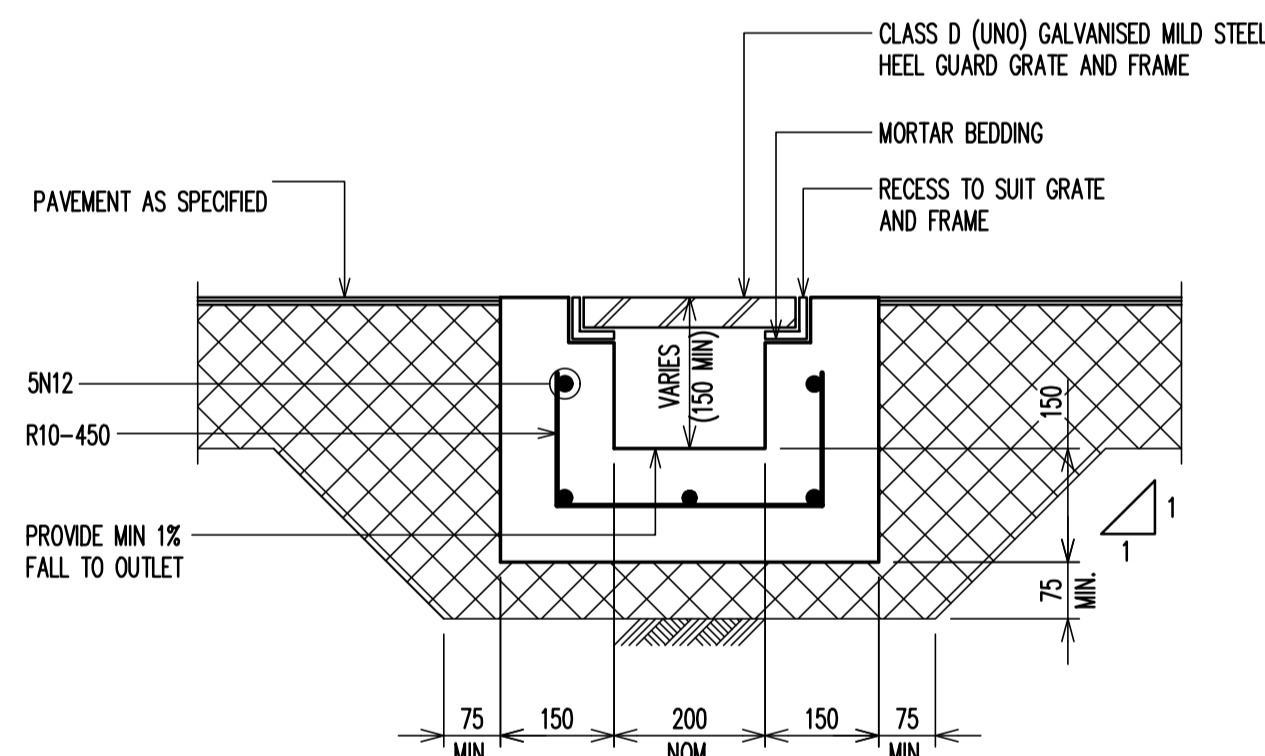
FLUSHING POINT (FP)



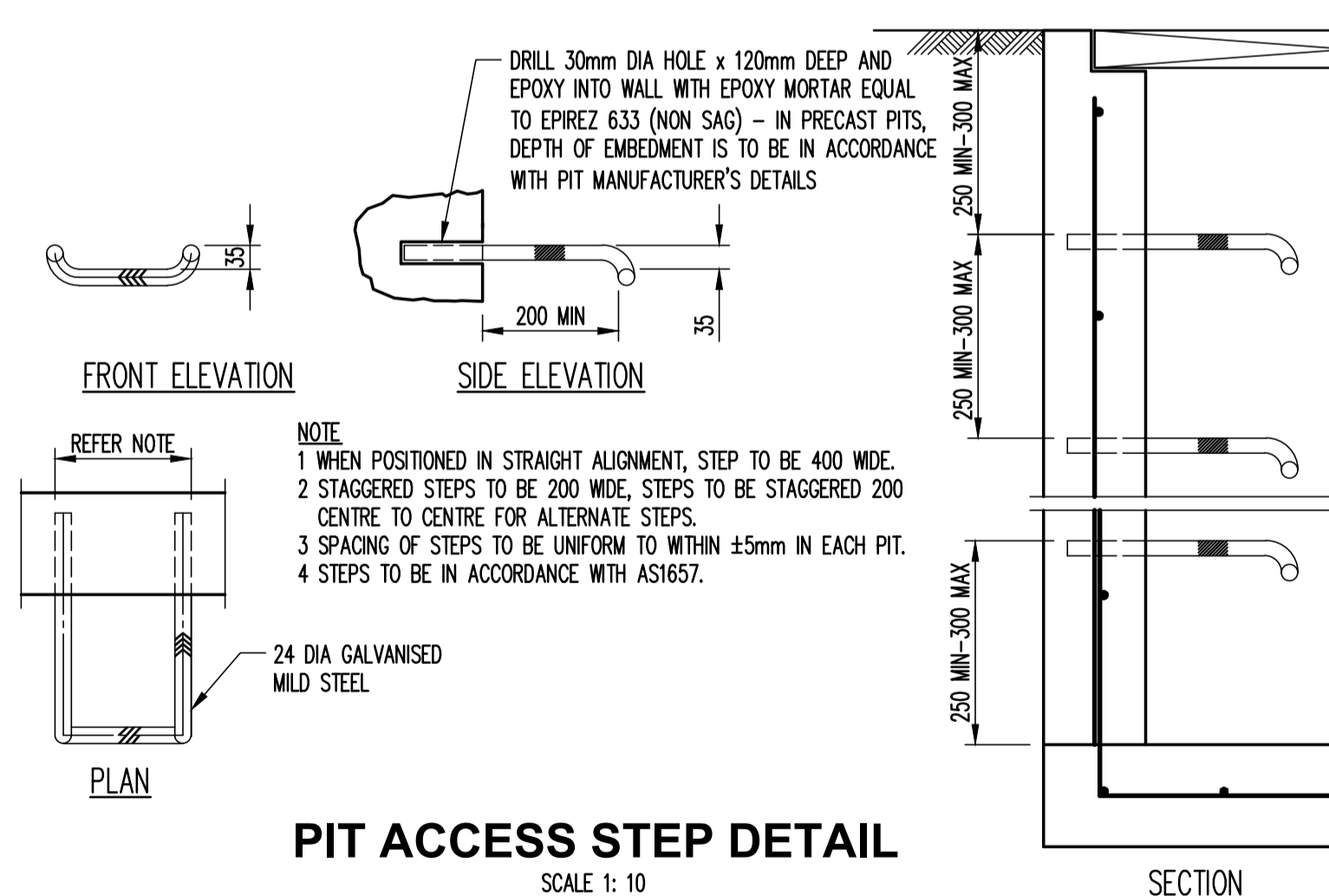
DETAIL D



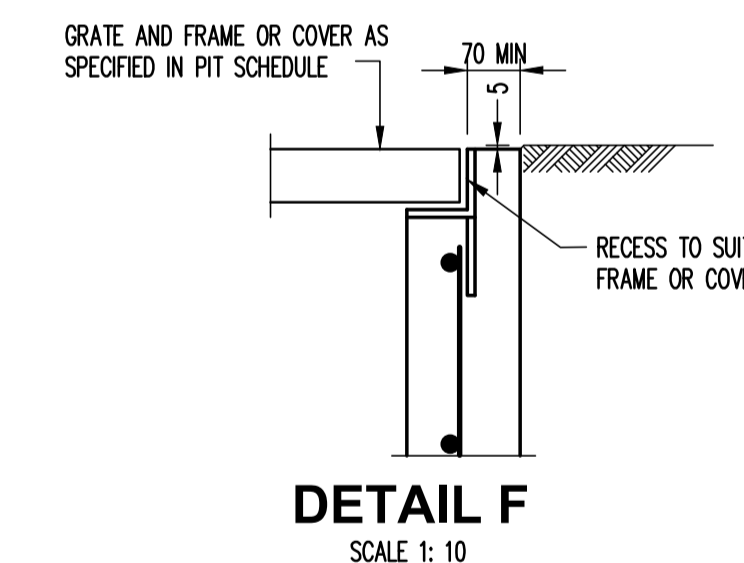
PIT CORNER DETAILS



GRADED DRAIN TYPE A (GD)



PIT ACCESS STEP DETAIL



DETAIL F

Filename: CV-82-A-006.dwg - USER: sstfah - Plot File Created: Feb 25, 2021 - 12:15pm

A1 1 2 3 4 5 6 7 8 9 10

Rev	Description	Eng	Draft	Date	Rev	Description	Eng	Draft	Date
P3	ISSUE FOR APPROVAL	AH	JW	25.02.21					
P2	ISSUE FOR APPROVAL	AH	JW	16.02.21					
P1	PRELIMINARY	AA	JW	09.02.21					

Architect
WOODS BAGOT
2/60 CARRINGTON STREET, NSW 200

Client
MULTIPLEX AUSTRALASIA
22/135 KINGS STREET, NSW 200

Engineer
TTW Structural
Civil
Traffic
Façade
612 9439 7288 | 48 Chandos Street St Leonards NSW 2065

Project
**MOSMAN HIGH SCHOOL
UPGRADE**
745 MILITARY ROAD,
MOSMAN, NSW 2088

Sheet Subject
DETAIL SHEET 1

Scale: A1
100

Drawn
JW

Authorised
SB

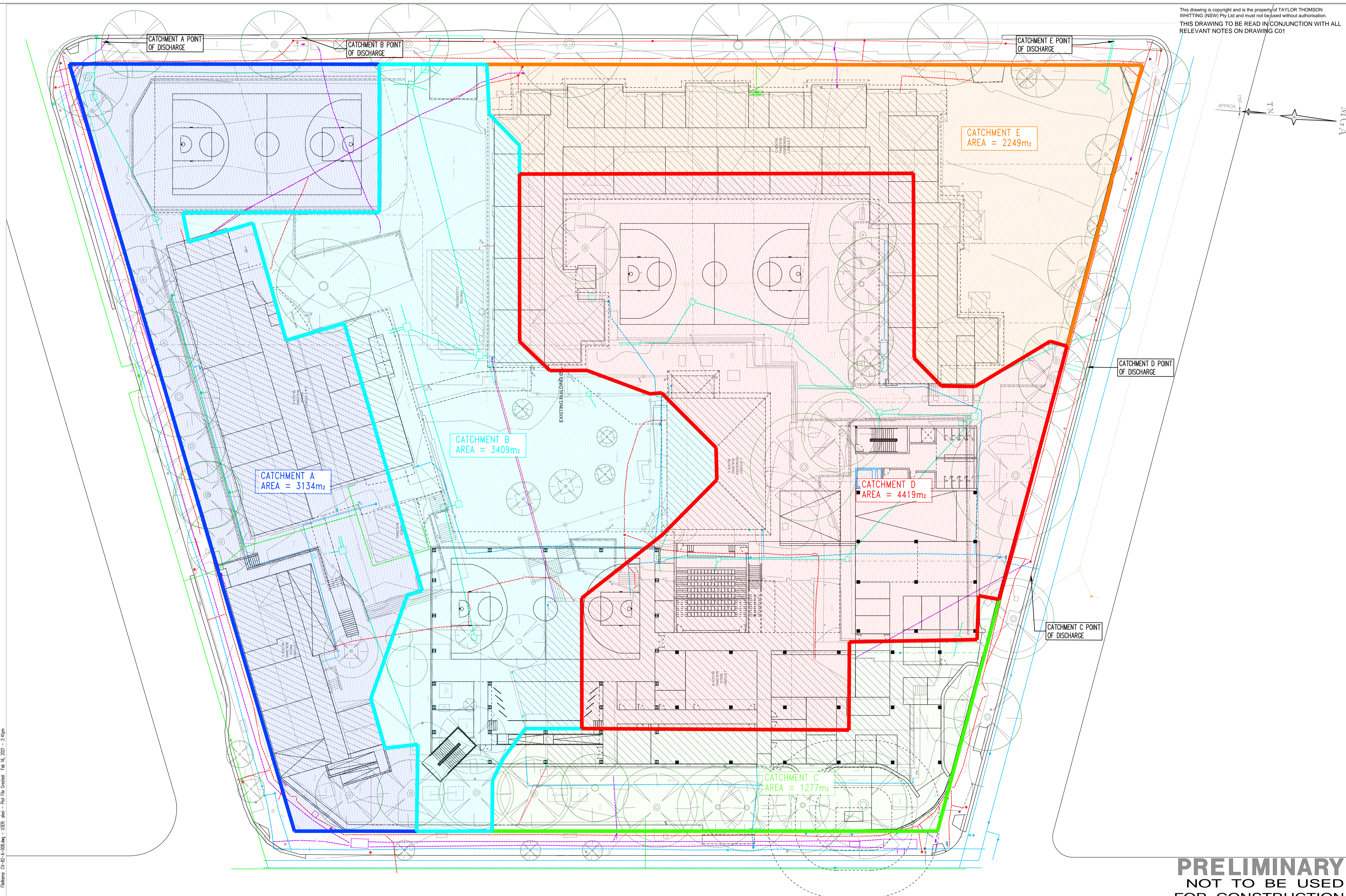
Job No
201635

Drawing No
CV-82-A-006

Revision
P3

Plot File Created: Feb 25, 2021 - 12:15pm

PRELIMINARY
NOT TO BE USED
FOR CONSTRUCTION



Pathname: CV-82-A-008.dwg - User: jw - Plot File Created: Feb 16, 2021 - 2:41pm

A1 0 1 2 3 4 5 6 7 8 9 10

Rev	Description	Eng	Draft	Date	Rev	Description	Eng	Draft	Date	Rev	Description	Eng	Draft	Date
P2	ISSUE FOR APPROVAL	AH	JW	16.02.21										
P1	PRELIMINARY	AA	JW	09.02.21										

Architect
WOODS BAGOT
 2/60 CARRINGTON STREET, NSW 200
 Client
MULTIPLEX AUSTRALASIA
 22/135 KINGS STREET, NSW 200

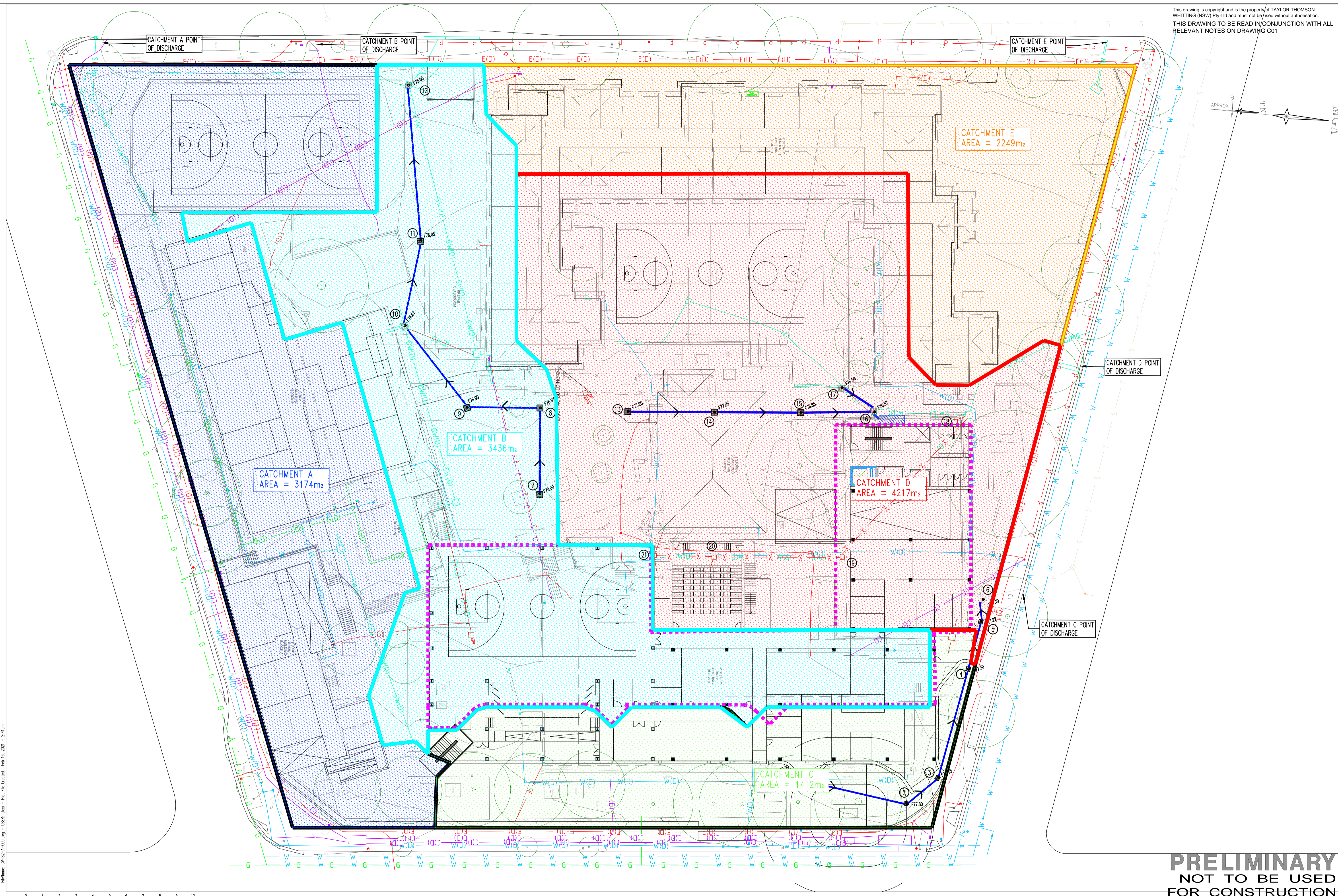
Engineer
TTW Structural
 Civil
 Traffic
 Façade
 612 9439 7288 | 48 Chandos Street St Leonards NSW 2065

Project
**MOSMAN HIGH SCHOOL
 UPGRADE**
 745 MILITARY ROAD,
 MOSMAN , NSW 2088

Sheet Subject
**CATCHMENT PLAN -
 PRE DEVELOPMENT**

Scale : A1
 1:250
 Drawn
 JW
 Authorised
 SB
 Job No
 201635
 Drawing No
 CV-82-A-008
 Revision
 P2
 Plot File Created: Feb 16, 2021 - 2:41pm

**PRELIMINARY
 NOT TO BE USED
 FOR CONSTRUCTION**



Pathname: CV-82-A-009.dwg - User: jw - Plot File Created: Feb 16, 2021 - 2:41pm

Rev	Description	Eng	Draft	Date
P2	ISSUE FOR APPROVAL	AH	JW	16.02.21
P1	PRELIMINARY	AA	JW	09.02.21

Rev	Description	Eng	Draft	Date

Architect
WOODS BAGOT
 2/60 CARRINGTON STREET, NSW 200

Client
MULTIPLEX AUSTRALASIA
 22/135 KINGS STREET, NSW 200

Engineer
TTW Structural Civil Façade
 612 9439 7288 | 48 Chandos Street St Leonards NSW 2065

Project
**MOSMAN HIGH SCHOOL
 UPGRADE**
 745 MILITARY ROAD,
 MOSMAN, NSW 2088

Sheet Subject
**CATCHMENT PLAN -
 POST DEVELOPMENT**

**PRELIMINARY
 NOT TO BE USED
 FOR CONSTRUCTION**

Scale : A1	Drawn	Authorised
1:250	JW	SB
Job No	Drawing No	Revision
201635	CV-82-A-009	P2
Plot File Created: Feb 16, 2021 - 2:41pm		