

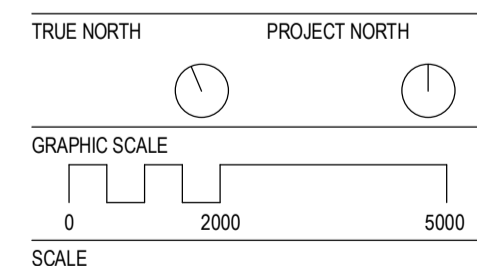
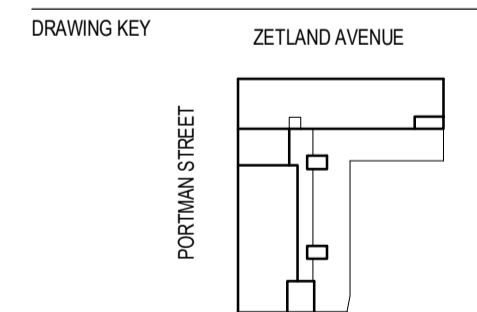
ISSUE	DATE	FOR
A	24/02/22	SSDA

STRUCTURAL AND CIVIL ENGINEER  
**MEINHARDT BONACCI**  
+61 2 8247 8400  
BUILDING SERVICES  
**STANTEC**  
+61 2 9493 9700  
ESD & GREEN STAR  
**NDY**  
+61 2 9928 6800  
LANDSCAPE ARCHITECT  
**TURF DESIGN**  
+61 2 8394 9990  
BCA AND DDA  
**PHILLIP CHUN**  
+61 2 9412 23202  
PROJECT MANAGER  
**COLLIERS INTERNATIONAL**  
+61 2 9257 0222  
END USER  
**CITY OF SYDNEY**  
+61 2 9265 9333  
END USER  
**NSW DEPARTMENT OF EDUCATION**  
1300 679 332  
CLIENT

**SCHOOL INFRASTRUCTURE NSW**  
PROJECT

**GREEN SQUARE INTEGRATED  
COMMUNITY FACILITY AND SCHOOL**  
ZETLAND AVENUE, GREEN SQUARE 2017  
BVM PROJECT NUMBER

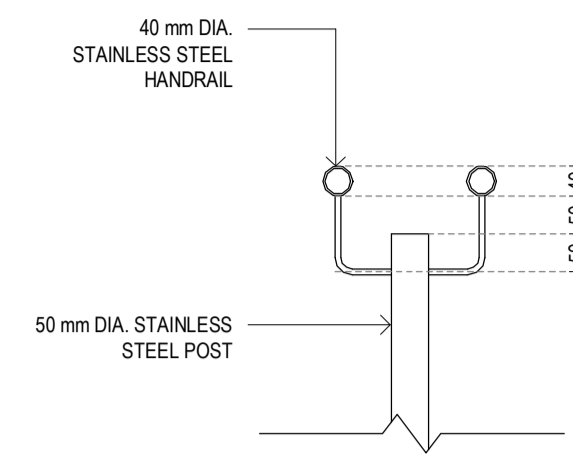
1908014.000



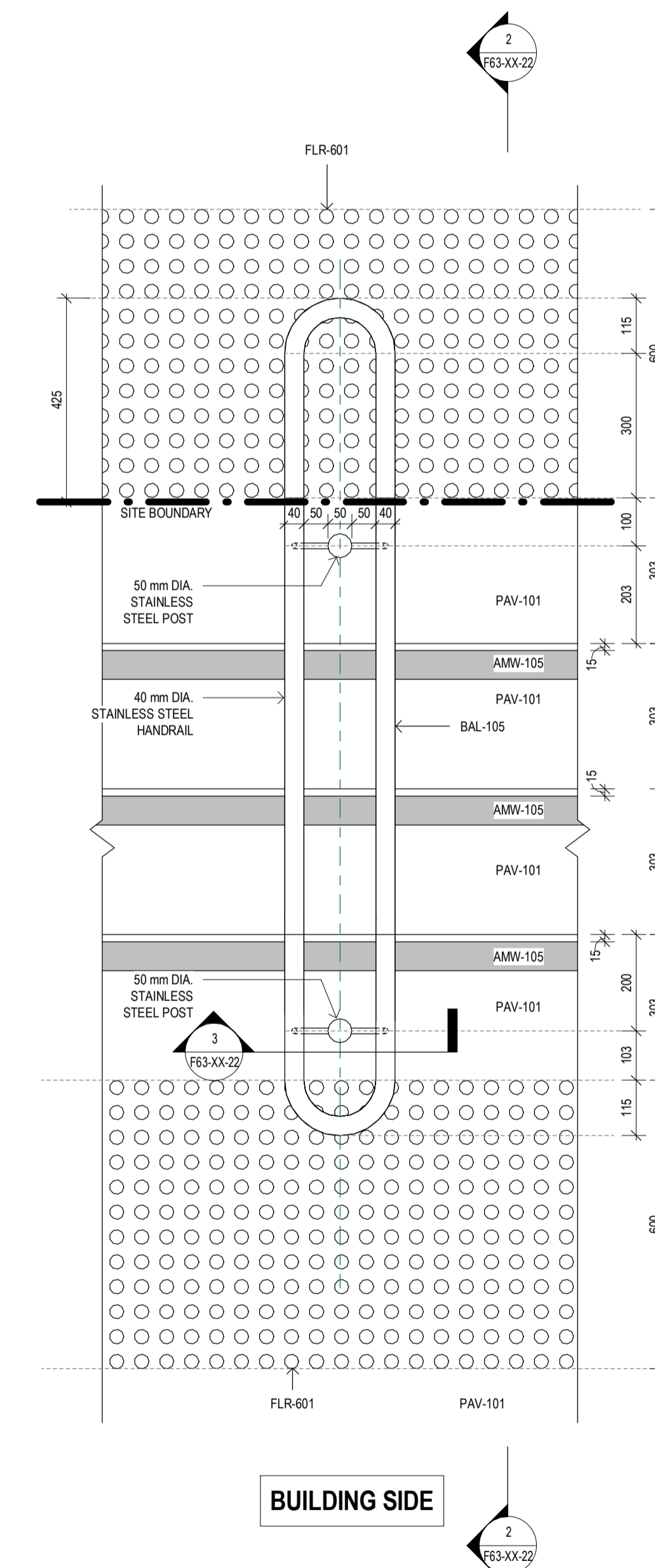
1:10@A1  
STATUS  
SSDA  
DRAWING

**EXTERNAL STAIR TO  
MULTIPURPOSE 1A & 1B -  
DETAILS**

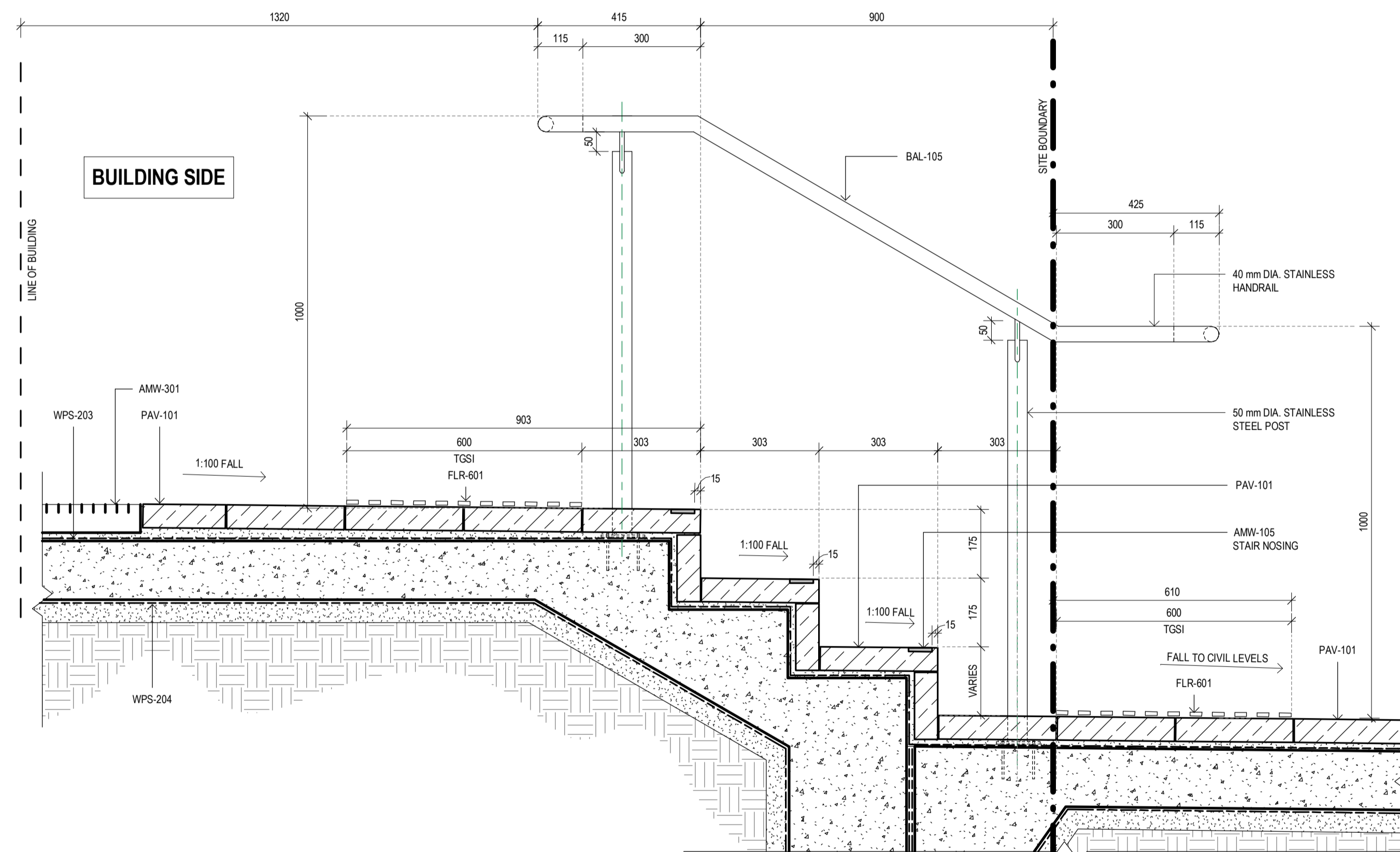
ISSUE
A



**3 SECTION - DOUBLE HANDRAIL DETAIL**  
1:10



**2 PLAN - DETAIL OF BAL-105 AND EXTERNAL  
STAIR TO MULTIPURPOSE 1A & 1B**  
1:10



**1 SECTION - DETAIL OF BAL-105 AND EXTERNAL  
STAIR TO MULTIPURPOSE 1A & 1B**  
1:10